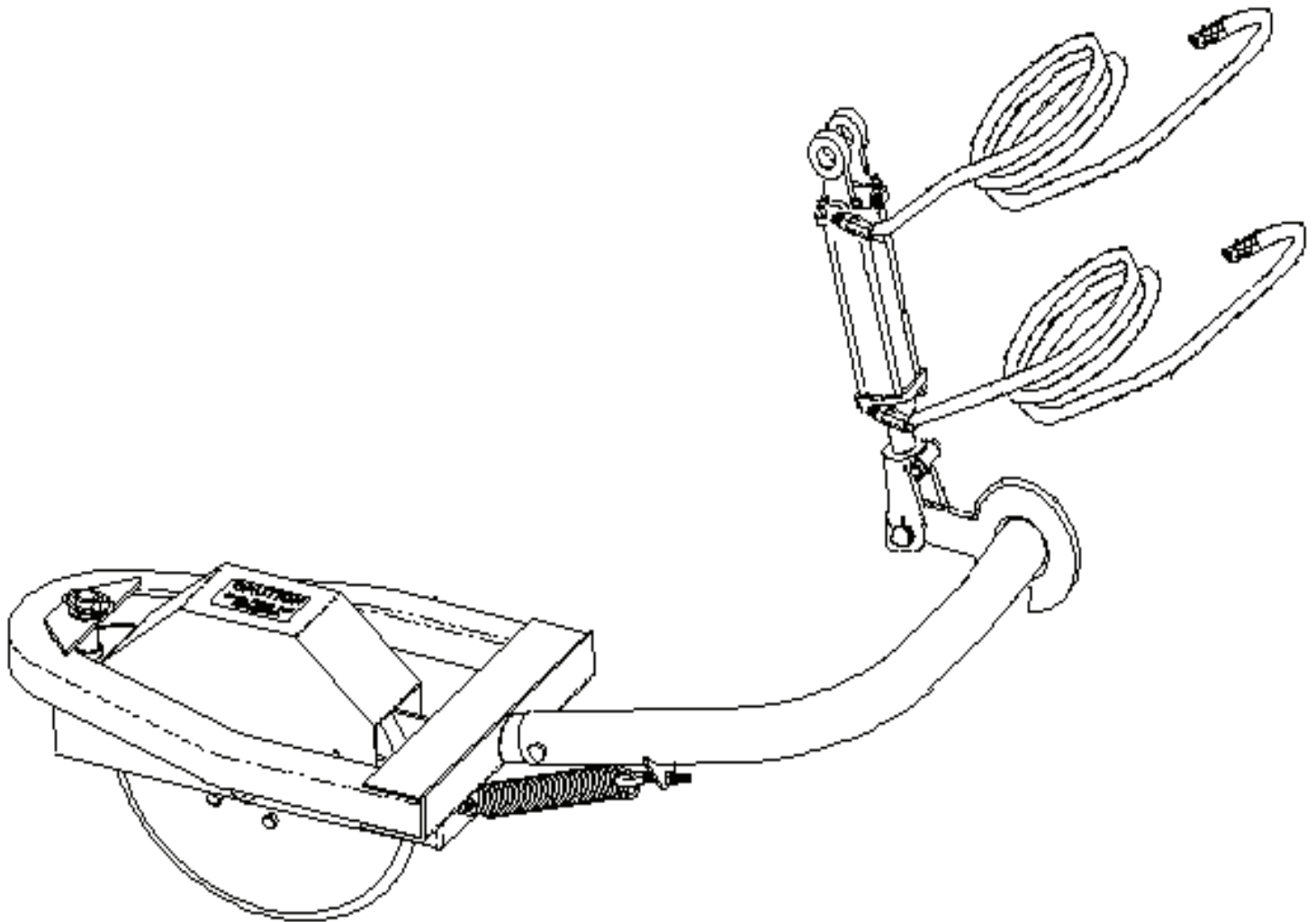


KUTTING-EDGE.

Pathway Edger for Kubota RTV 900®



Bishop Enterprises, Inc.

9033 Shelbyville Hwy. Bell Buckle, TN 37020
Tel: 615.793.6052 Fax: 615.793.9525

Look For Other Great BEI Products On The Web at
www.turf-aire.com

Parts List

For Kitting Edge on KUBOTA RTV 900

Parts List For "Cutting Edge" Edger

Item #	Qty.	Part #	Description
1	1	e10018K	Main Control Arm
2	1	e10061	1/2-13 x 3" Hx Hd Bolt
3	2	e10043	3/8-16 Hx Nut
4	1	e10042	3/8-16 x 3" Eyebolt
5	1	e10037	Spring
6	3	e10014D	1/2-13 Hx Nut
7	2	e10038	1/2" Carrier Bearing
8	2	e10060	Spacer
9	1	e10033N	Coulter Guard
10	1	e10026	Coulter Hub
10-A	1	e10026F	Coulter Hub With Bearing
11	1	e10013	Disc
12	4	e10026B	3/8-16 x 1-1/4" Bolt
13	2	e10014B	1/2" Flat Washer
14	1	e10014	1/2-13 x 5-1/2" Mounting Bolt
15	1	e10026A	Coulter Bearing
16	4	e10026D	3/8-16 Hx Nut
17	1	e10014E	1/2"x 1" Spacer
18	2	e10014C	1/2" Lock Washer
19	1	e10022A	Coulter Carrier Frame
20	2	e10039	Bushing
21	4	e10034B	1/4-20 x 1/2" Hx Hd Bolt
22	4	e95001	1/4-20 Hx Nut
23	1	e10025A	Main Coulter Frame
24	1	e10040	Lynch Pin
25	1	e10033A	Caution Decal
26	1	e10016	#10 Hairpin
27	1	e10019	Hydraulic Cylinder
28	2	e10030K	98" Hydraulic Hose
29	2	e10031K	Male Quick Connect Adapter
30	1	e10020	1" Cylinder Mounting Pin
31	2	e10021	1" Hairpin Clip For Pin
32	1	e10012K	Kubota RTV 900 Mounting Plate
33	2	e10017	3/8"x 2"x3" U Bolt
34	4	e10035A	3/8" washers
35	4	034052	3/8" serrated nuts
36	1	e10029	3/8"x2"x4-1/2" U-Bolt
37	1	e10029A	3/8"x2" U bolt Washer
38	2	035062	3/8" nuts
39	2	e10019C	90 degree swivel
40	2	e100130KB	90 degree elbow

See Figure #2

Illustrated Parts List For Kitting Edge on KUBOTA RTV 900

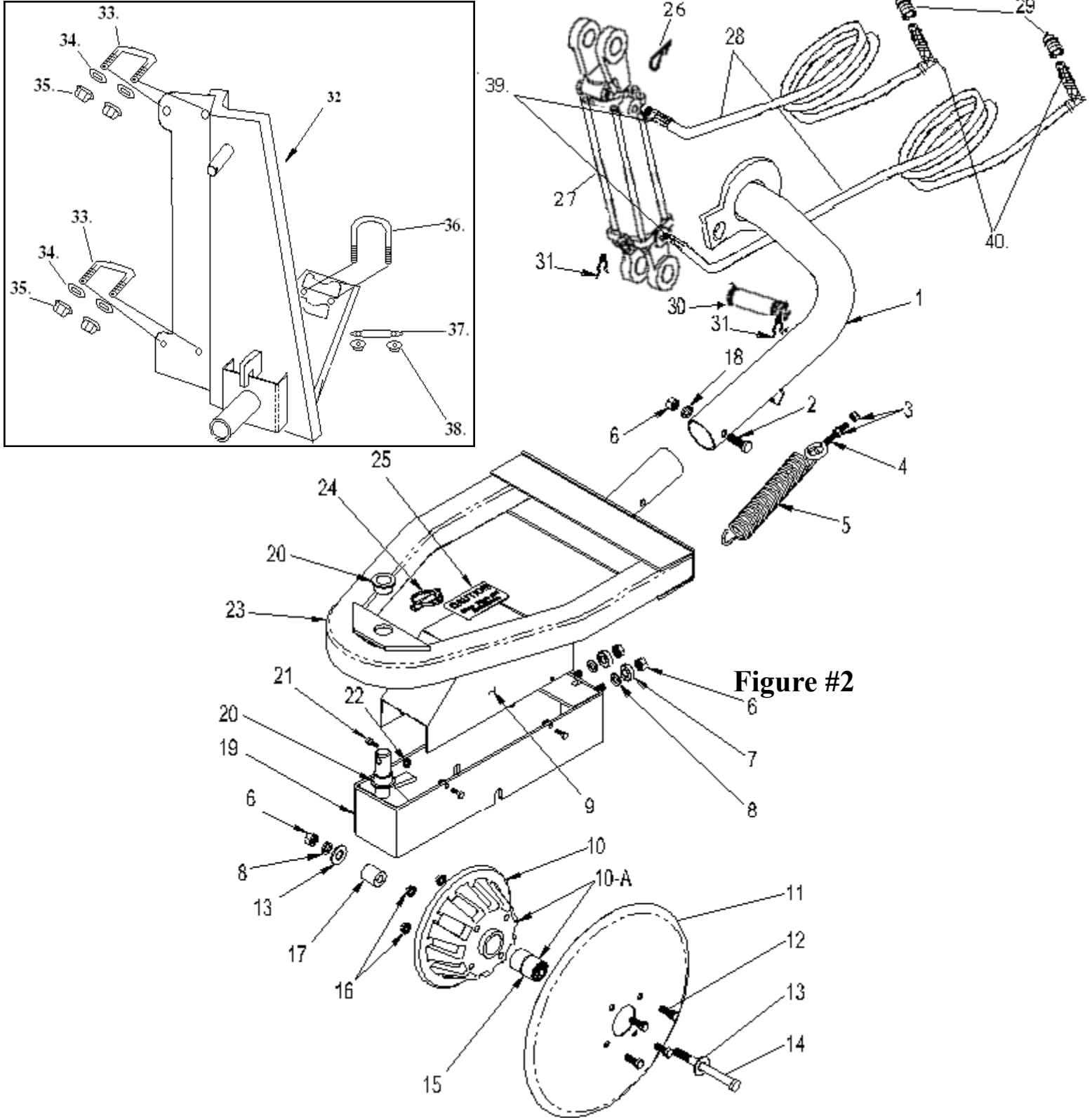
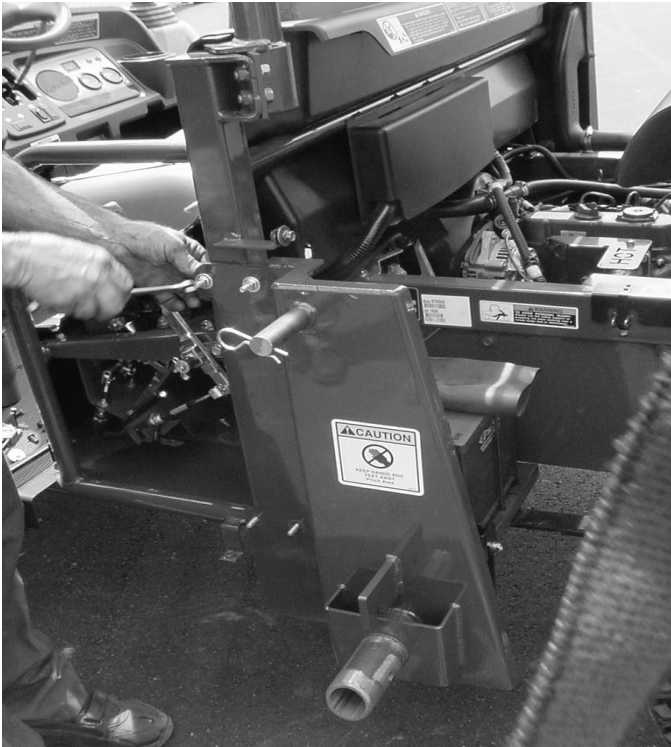
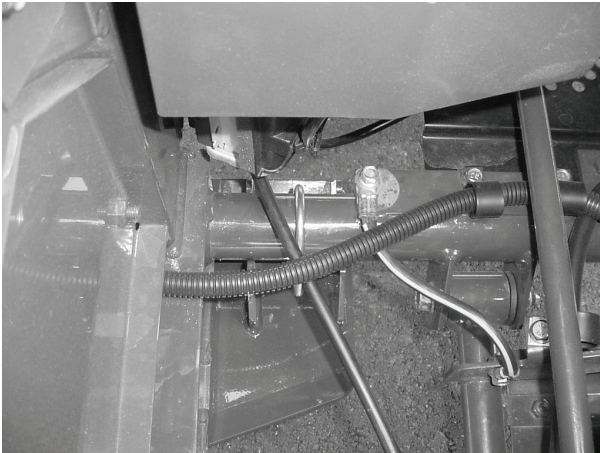


Figure #2

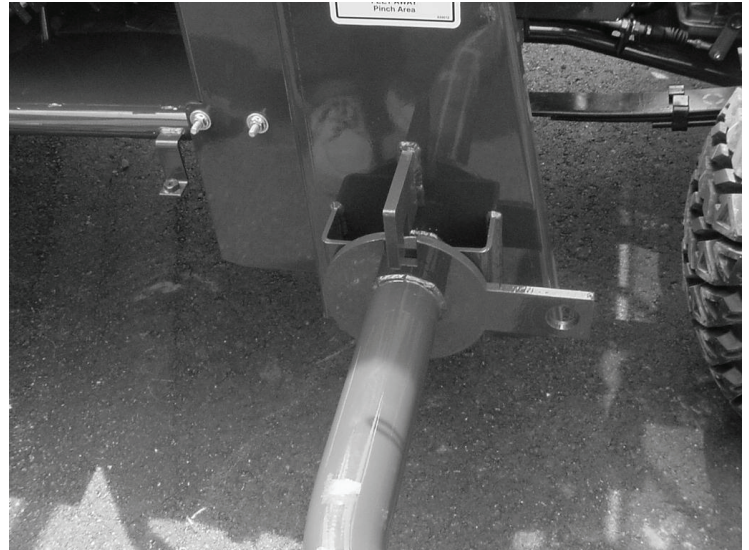
Step 1. Lift bed into the full upright position take the driver's side cover off.



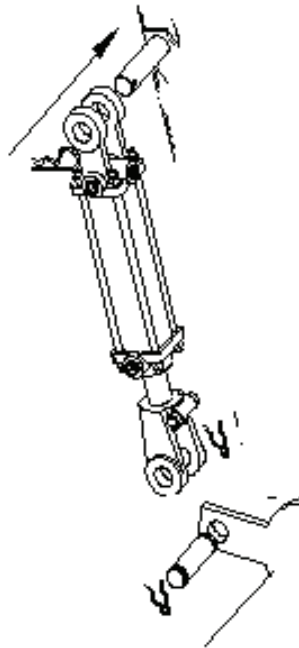
Step 2. Locate the upright 2" square tubing and install two 2"x3/8" U-bolts. Only snug do not tighten.



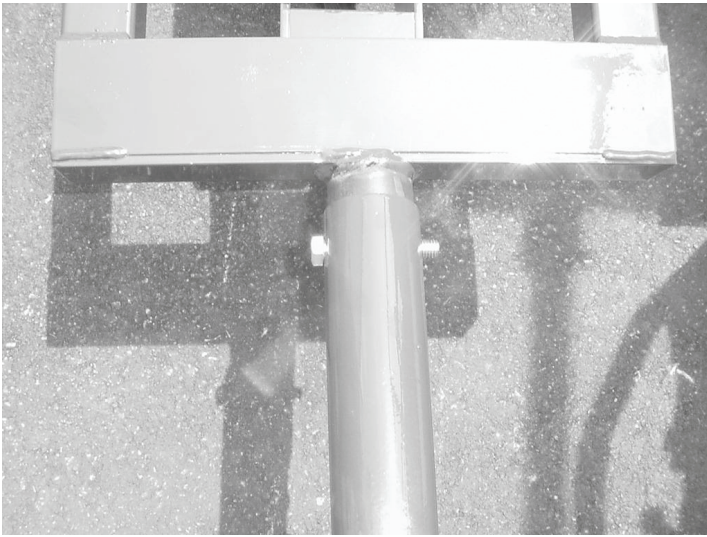
Step 3. Install a 2"x3/8" U-bolt to bottom of spring shackle tube. Tighten and then tighten the other U-bolts.



Step 4. Install control arm by lining up capture point. Control Arm will point towards the front when locked in.

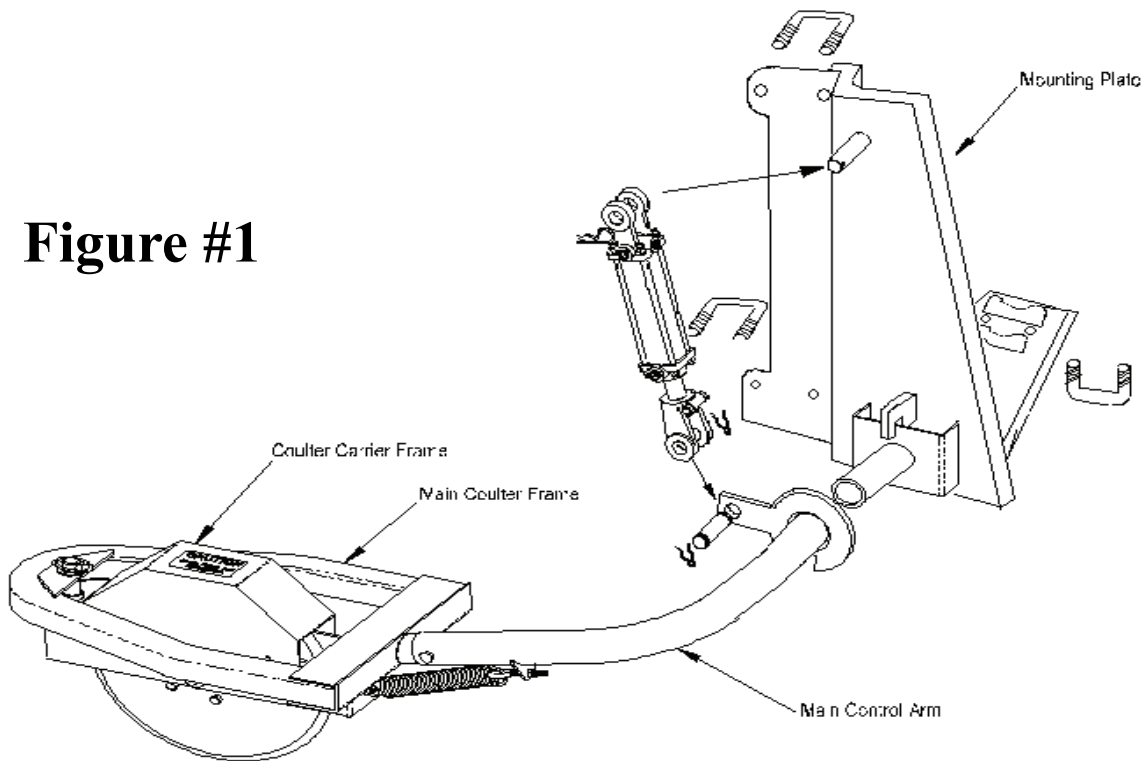


Step 5. Install cylinder and hoses. Be sure to route the hoses through the hand holder at back of bed. (NOTICE: Unit must have hydraulics for edger to work properly)



Step 6. Install main coulters frame into control arm using a 1/2"x3" bolt and nut. Reinstall left cover.

Figure #1



Bishop Enterprises, Inc.
9033 Shelbyville Hwy. Bell Buckle, TN 37020
Tel: 615.793.6052 Fax: 615.793.9525

Look For Other Great BEI Products On The Web at
www.turf-aire.com